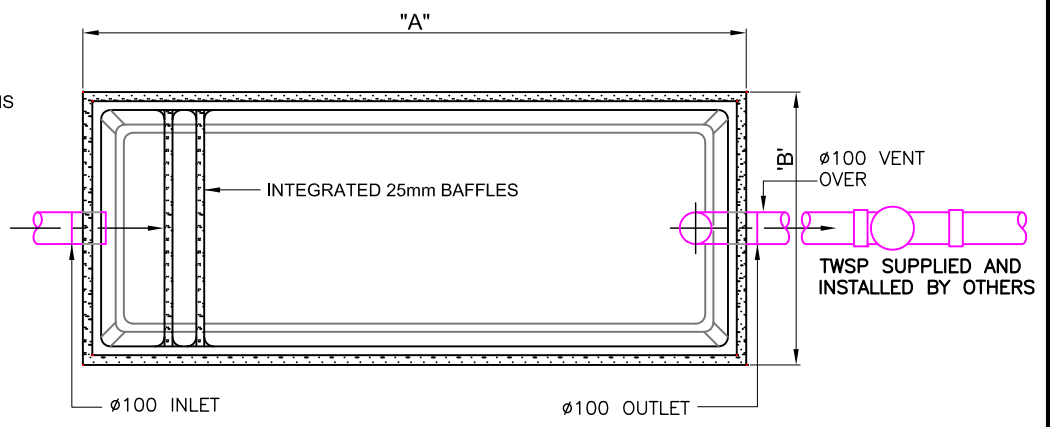


SIDE SECTION
SCALE 1:25

END SECTION
SCALE 1:25

PRODUCT NOTE:

- TESTED AND APPROVED FOR INSTALLATIONS UP TO 5000mm DEEP.
- 300mm RISERS AVAILABLE.
- LARGE RANGE OF CONCRETE SURROUNDS AND COVERS TO SUIT ALL LOAD RATINGS.
- MPA RATING FOR GRC - 60 mpa @ 28 DAYS.
- AVAILABLE EXTRAS:
 -STEP IRONS
 -SUPPORT FRAME & WORK PLATFORMS FOR ABOVE GROUND INSTALLATIONS.
- OTHER PVC PIPE SIZES AVAILABLE UPON REQUEST
- INSTALLATION INSTRUCTIONS MUST BE FOLLOWED.
- COVER WILL ADD TO OVERALL DEPTH.



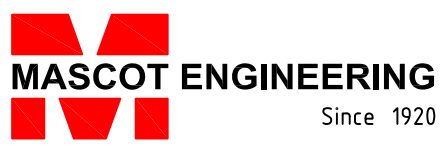
OPEN TANK PLAN VIEW
SCALE 1:25

PRODUCT CODE	CAPACITY (L)	A	B	C	D	E	F	G	MASS (KG)
WAGA 540	540	1200	1200	900	563	250	300	107	280
WAGA 600	600	1000	705	1360	1120	170	220	150	160
WAGA 1000	1000	2050	860	1370	700	600	650	500	500
WAGA 1000S	1000	1200	1200	1500	920	510	560	230	455
WAGA 1500	1500	2050	860	1670	1100	500	550	400	610
WAGA 1500S	1500	1200	1200	1825	1300	430	480	300	550
WAGA 2000	2000	2050	860	1670	1350	250	300	150	610

SPECIFICATION

Glass Reinforced Concrete Grease Arrester must be WSAA (Water Services Association Australian) appraised and free of steel reinforcement to prevent corrosion. Grease Arrester to be Mascot Engineering GRC litre, model number WAGA complete with Gastight Access Covers to suit Class load rating to AS3996. Products to be installed as per the manufacturers installation instructions

© Copyright



PRODUCT DESCRIPTION:
WA GREASE ARRESTOR

ph: 1300 885 295
 fax: 1300 885 296
 email: sales@mascoteng.com.au
 www.mascotengineering.com.au

SCALE: **NTS**
 REVISION: **D 1116**

DRAWING No:
TW.WA.GA.001